

HEAVY-DUTY FORKLIFT
DIESEL PORTFOLIO

SANY

Quality Changes the World



POWER PACKS FOR EVERY TASK

PROFESSIONALS WITH POWER AND PRECISION.



**SANY HEAVY-DUTY
FORKLIFT
DIESEL PORTFOLIO**

**PERFORMANCE
COMES FROM QUALITY.
QUALITY COMES
FROM EXPERIENCE.**

SANY Europe is part of the SANY Group, a leading global manufacturer of construction machinery, port equipment and wind turbines based in Changsha, China.

We deliver customised products equipped with powerful, innovative technology to the respective national markets. Each of our models is specifically developed for the European market. With its own steel construction and spreader production facilities, SANY has the world's largest reachstacker production facility.

We also have an efficient Europe-wide dealer network that provides local users with competent support for sales, service and maintenance.

Table of contents

P. 2/3	Overview of heavy-duty forklift portfolio
P. 4/5	Top features
P. 6/7	Highlights
P. 8	Technical specifications Dimensions
P. 9	Load diagram
P. 10/11	Equipment

UNCOMPROMISING FOR ALL REQUIREMENTS AND AREAS OF APPLICATION

In the port or in steel production, when loading precast concrete parts or wind power components - SANY heavy-duty forklifts are in their element wherever heavy unit loads are involved. They master the most difficult conditions and move and position loads precisely and quickly. You can rely on the robust design of the box frame and the proven brand components - even in

continuous use. Another advantage: high stability thanks to optimum weight distribution and agile manoeuvring. This is how SANY heavy-duty forklifts combine the manoeuvring of heavy loads with low operating costs.

SANY



STABLE

Optimum weight distribution allows high loads

FLEXIBLE

The right mast for every application

CLEVER

Perfectly coordinated hydraulic and electronic system

SAFE

Equipped with automatic reversing camera, reversing sensors, tire pressure monitoring and a 360° camera system with bird's eye view

COMPACT

Clear dimensions for quick manoeuvring, even in confined spaces

EFFICIENT

High lifting speed for fast work

POWERFUL

Acceleration thanks to four-speed powershift transmission with torque converter and automatic gear shift

EASY

Large maintenance flaps on the side of the machine for easy servicing

HEAVY-DUTY FORKTRUCKS
HEAVY-DUTY FORKTRUCKS
HEAVY-DUTY FORKTRUCKS

EASE OF OPERATION

THE NEW LIFE WITH HEAVY LOADS

The spacious cab offers a comfortable and safe workplace, equipped with a powerful air conditioning system as standard.

The joystick can be used to control several operations simultaneously, including the fork lift and distance as well as the mast tilt. The 4-speed powershift transmission with torque converter is responsible for smooth starting and the right power in every situation.

The pivoting steering column not only makes it easy for the driver to get in and out of the cab, but can also be adjusted in 3 positions for individual adjustments.



SAFETY

The best view for safe working

The large opening in the middle of the mast provides a good view of the fork and load to the front. The hydraulic lines on the mast are arranged at an angle to maximize visibility to the left and right of the mast. To the rear, the back window allows an unrestricted field of

vision when reversing and manoeuvring. In addition, the large roof glazing offers a good view upwards - it is rare to have such an all-round view.



EASE OF OPERATION

Everything at a glance

The large, central 10-inch display can be operated intuitively as a touchscreen and contains many functions such as windscreen wipers, lights or on-board diagnostics.



EASE OF OPERATION

Maintenance made easy

The driver's cab can be tilted hydraulically to the right for easy access to the transmission. Routine maintenance tasks are also completed quickly thanks to the easily accessible lubrication points and a central distribution block for lubrication points that are difficult to access.



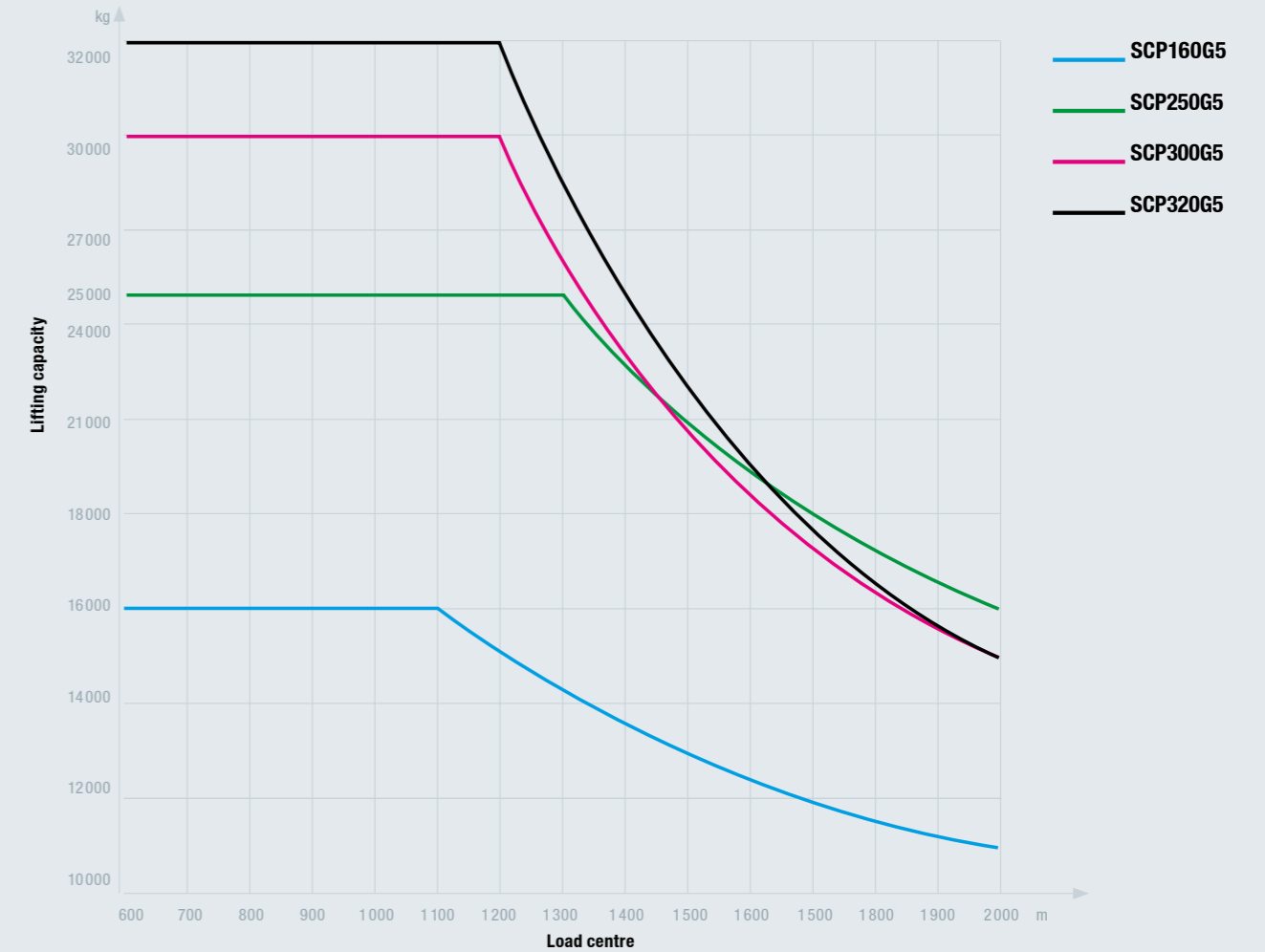
FLEET MANAGEMENT

MACHINE DATA IN REAL TIME

SANY has developed the digital fleet management system eVISION (EVI for short) exclusively for the European market. It allows real-time access to all important information and intelligently connects machines and processes with each other. This optimizes production and logistics processes and makes them more efficient and significantly more profitable.

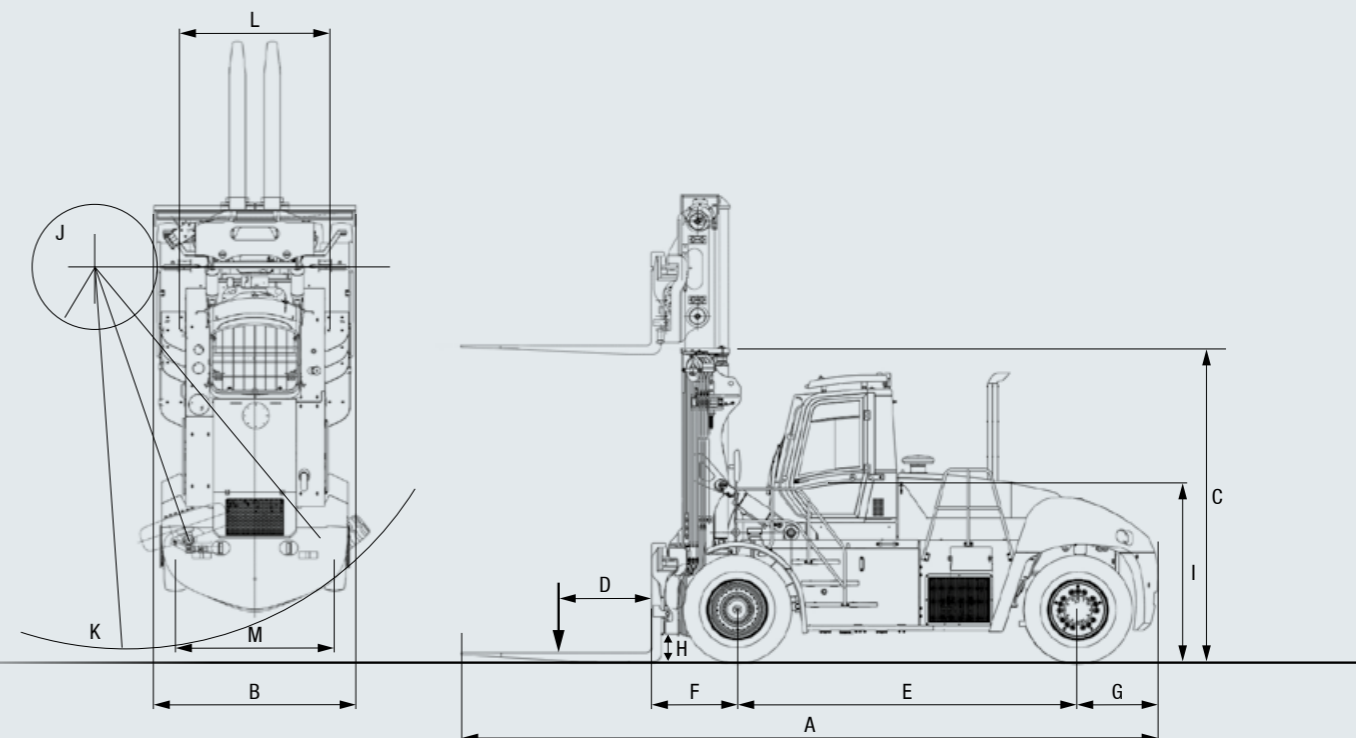


Model		SCP160G5	SCP250G5	SCP300G5	SCP320G5
Registration number					
Drive		Diesel	Diesel	Diesel	Diesel
Exhaust emission level		EU-Stage V	EU-Stage V	EU-Stage V	EU-Stage V
Power	kW	168 / 2200	185 / 2200	185 / 2200	185 / 2200
Wheelbase	mm	3750	4300	4500	4500
Chassis					
Drive axle		KESSLER-D81PL478	KESSLER-D91PL488	KESSLER-D91PL408	KESSLER-D91PL408
Tyres		air	air	air	air
Tyre size		12.00-20	14.00-24	16.00-25	16.00-25
Power					
Total weight	kg	23000	33700	41500	42500
Lifting speed with / without load	mm/s	400 / 450	350 / 380	320 / 370	320 / 370
Lowering speed with / without load	mm/s	500 / 500	500 / 500	400 / 400	400 / 400
Climbing ability with load	%	39	33	25	25
Travel speed with / without load	km/h	26 / 29	23 / 25	25 / 28	25 / 28
Engine					
Engine manufacturer / type		CUMMINS QSB6.7	VOLVO TAD881VE	VOLVO TAD881VE	VOLVO TAD881VE
Engine power according to ISO 14396	kW	168	185	185	185
Engine torque	Nm / UpM	1044 / 1500	1175 / 1400	1175 / 1400	1175 / 1400
Rated speed	UpM	2200	2200	2200	2200
Fuel consumption according to VDI cycle	l/h	12-22	12-22	12-22	12-22
Other					
Mast height (retracted H / extended H1)	mm	3754 / 5704	3994 / 5939	4360 / 6305	4360 / 6305
Lifting height standard H3	mm	4000	4000	4000	4000
Mast tilt (forward / backward)	°	15 / 12	5 / 10	5 / 10	5 / 10
Dimensions (length x width x height)	mm	8065 x 2724 x 3595	8790 x 3100 x 3804	9265 x 3580 x 3917	9265 x 3580 x 3917
Fork spacing (min. - max.)	mm	674-2274	786-2776	918-2848	918-2848



DIMENSIONS

Model		SCP160G5	SCP250G5	SCP300G5	SCP320G5
A Overall length	mm	8144	8790	9265	9265
B Overall width	mm	2724	3100	3580	3580
C Overall height	mm	3595	3804	3917	3917
D Load centre	mm	1200	1200	1200	1200
E Wheelbase	mm	3750	4300	4500	4500
F Front overhang	mm	963	1085	1220	1220
G Rear overhang	mm	910	1005	1105	1105
H Min. ground clearance	mm	300	350	300	300
I Seat height above ground	mm	1870	2040	2195	2195
J Inside turning radius	mm	685	940	780	780
K Outside turning radius	mm	5200	6000	6300	6300
L Front track width	mm	1898	2204	2472	2472
M Rear track width	mm	2089	2450	2450	2450

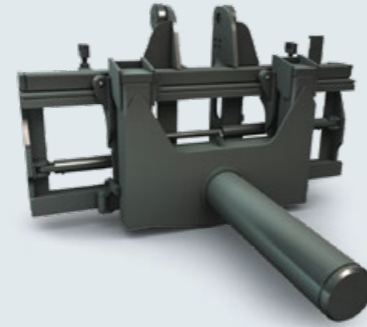


FORK / MAST

Fork dimension (W x S x L) 250 x 110 x 2 400 mm



Standard equipment - fork carriage:
Robust and with easily exchangeable forks, including sideshift and fork positioning



Optional - other attachments:
Coil mandrel and other attachments available on request



Standard equipment - duplex mast:
Ensures excellent visibility



Optional - duplex mast with free lift:
Lifting cylinder on duplex mast with free lift positioned to the side of the mast, thus unrestricted view through the central free space of the mast

DUPLEX MAST WITHOUT FREE LIFT

Lifting height	Mast height retracted	Mast height extended
3500 mm	3710 mm	5405 mm
4000 mm	3960 mm	5905 mm
4500 mm	4210 mm	6405 mm
5500 mm	4710 mm	7405 mm
6000 mm	4960 mm	7905 mm

DUPLEX MAST WITH FREE LIFT

Lifting height	Mast height retracted	Mast height extended	Free lift
4000 mm	3960 mm	5910 mm	2050 mm

Model	SCP160G5	SCP250G5	SCP300G5	SCP320G5
CABIN				
Air conditioning	●	●	●	●
10" touch colour display	●	●	●	●
Glass roof with sunblind and protective grille	●	●	●	●
Comfortable driver's seat with high backrest	●	●	●	●
Driver's seat with air suspension, Electrically adjustable	●	●	●	●
Lumbar supports and seat heating	●	●	●	●
Stationary, diesel-powered cab heating	●	●	●	●
Winter package for electrical preheating of cab, engine, diesel and hydraulic oil	●	●	●	●
Radio	●	●	●	●
Document holder, holder for tablet PC	●	●	●	●
SAFETY				
2-litre fire extinguisher	●	●	●	●
Automatic reversing camera	●	●	●	●
Distance sensors at the rear	●	●	●	●
Tyre pressure monitoring	●	●	●	●
360° all-round view camera system	●	●	●	●
Automatic fire extinguishing system in the engine compartment	●	●	●	●
Emergency stop switch on both sides of the machine	●	●	●	●
Adjustable speed limiter	●	●	●	●
HYDRAULIC SYSTEM				
Load-sensing hydraulic system	●	●	●	●
Automatic engine speed increase	●	●	●	●
MAST				
Duplex mast for 4 000 mm lift height	●	●	●	●
Choice of duplex masts from 3 500 to 6 000 mm lift height	●	●	●	●
Duplex mast for 4 000 mm lift height with free lift	●	●	●	●
Fork carriage with suspended forks, 2 400 mm fork length	●	●	●	●
Individual fork adjustment	●	●	●	●
LIGHTING				
LED lighting system with 12 headlights	●	●	●	●
Rotating beacon	●	●	●	●
Additional work lights	●	●	●	●
ELECTRONICS				
Electric parking brake	●	●	●	●
Automatic engine shutdown when idling	●	●	●	●
OTHER				
Electro-hydraulic tilting cab	●	●	●	●
External monitor for daily maintenance checks	●	●	●	●
Automatic central lubrication system	●	●	●	●
Special paint finish	●	●	●	●

Standard equipment ● Special option ●

The standard and special options differ depending on the country of delivery. Please contact your dealer directly if you have any questions.

Not all products are available in all markets. As part of our continuous improvement process, we reserve the right to change specifications and designs without prior notice. The illustrations may contain additional options.

SANY

Quality Changes the World

SANY EUROPE GmbH

Sany Allee 1
D-50181 Bedburg
fon +49 2272 90531 100
fax +49 2272 90531 109
info@sanyeurope.com
www.sanyeurope.com